

3D@MKB

Daniël Hoogstraate

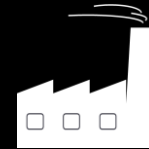
Growing our expertise, worldwide

26 offices in 19 countries

+190 3D-printers



+2,500+ parts printed daily



+210 patents granted



+165 patents pending

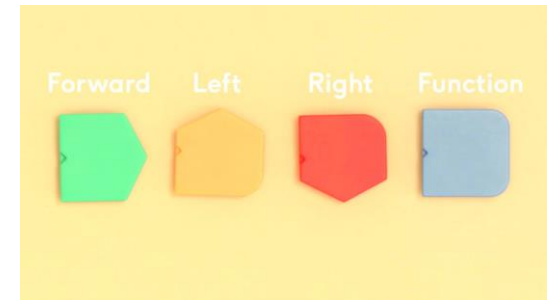
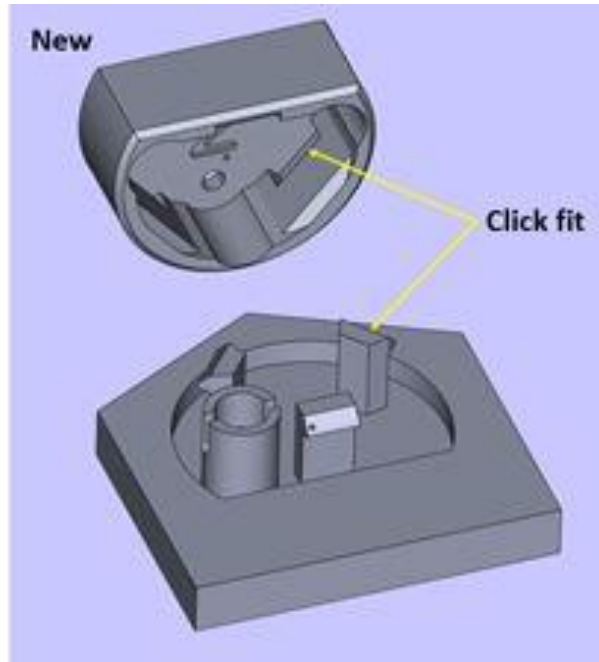
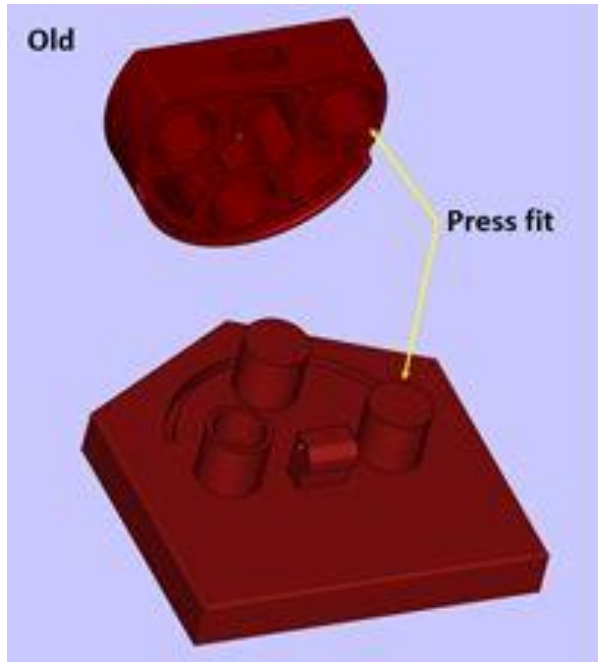


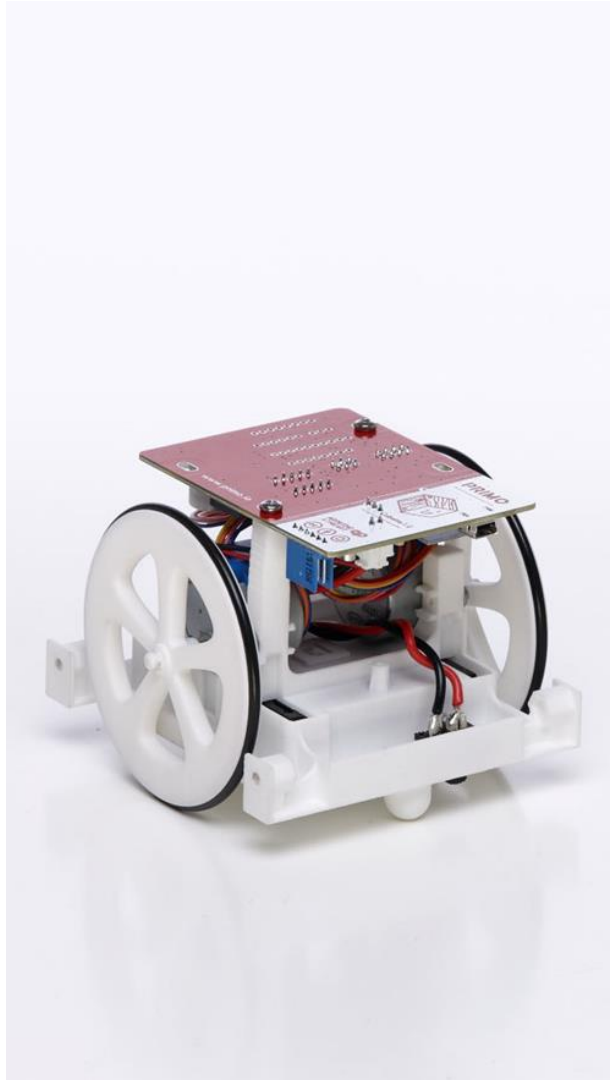
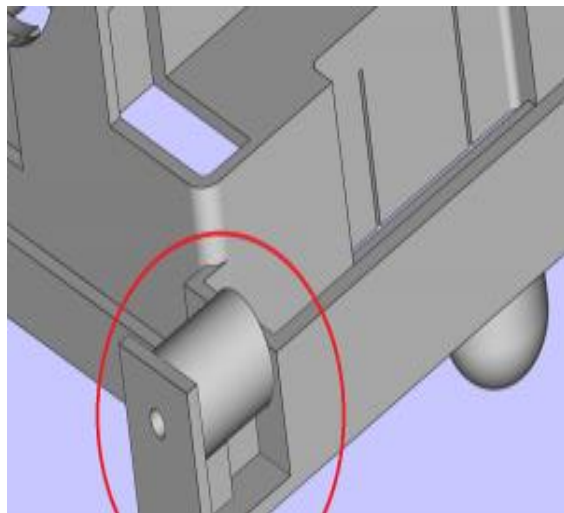
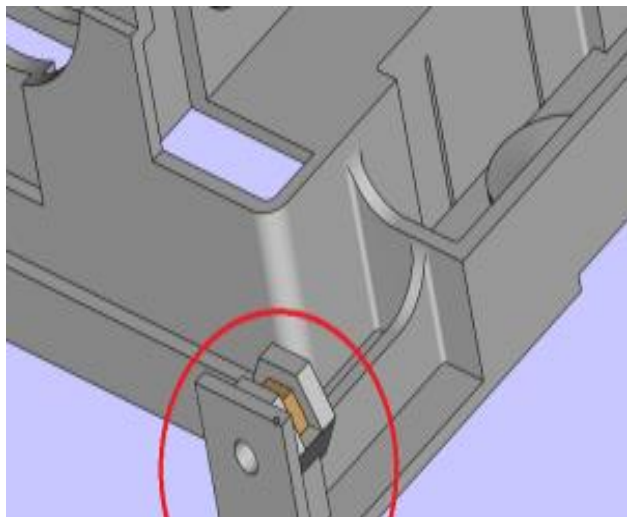
+2100 EMPLOYEES

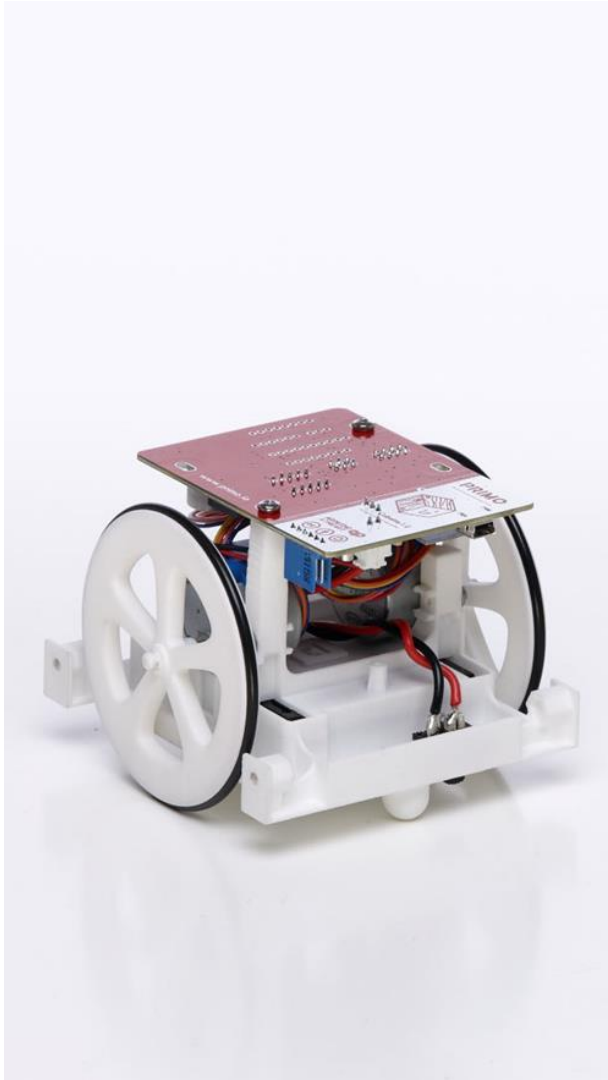
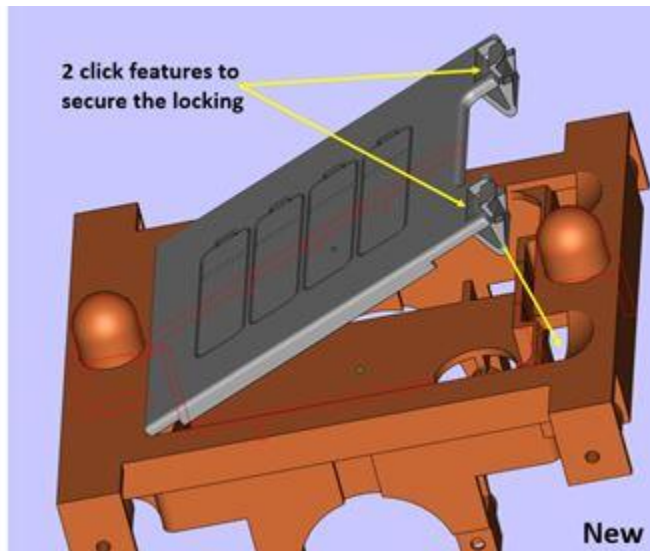
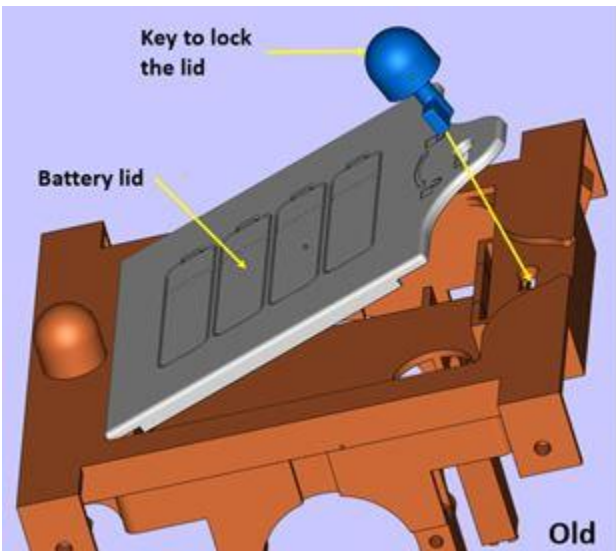


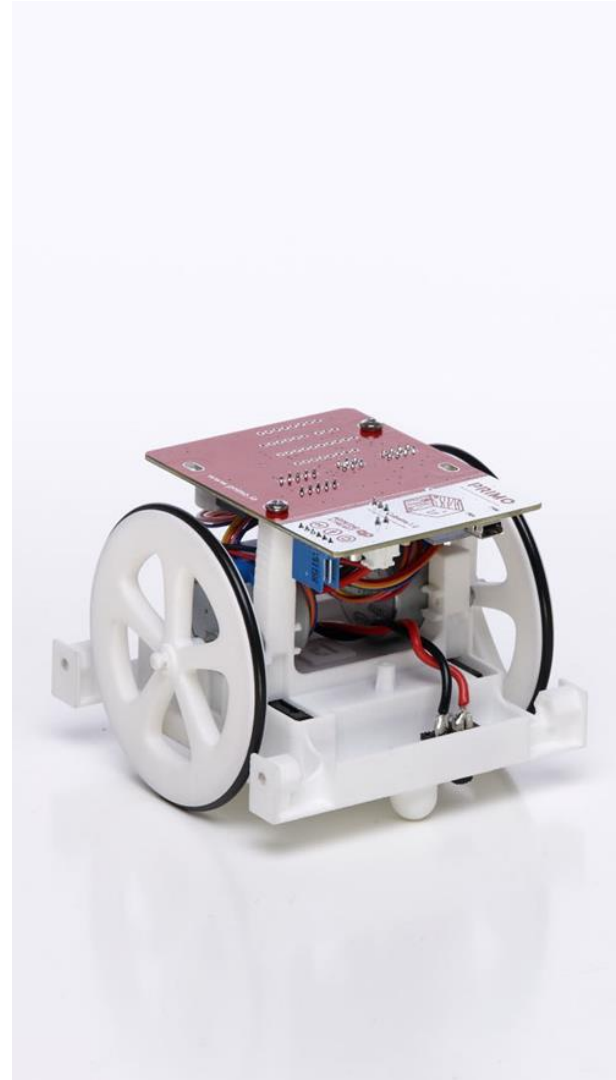
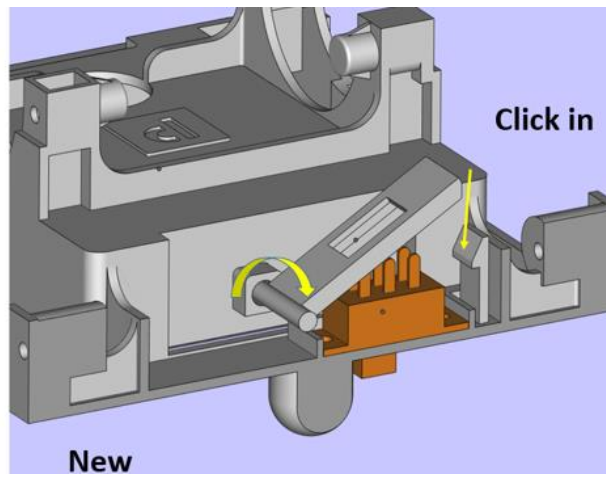
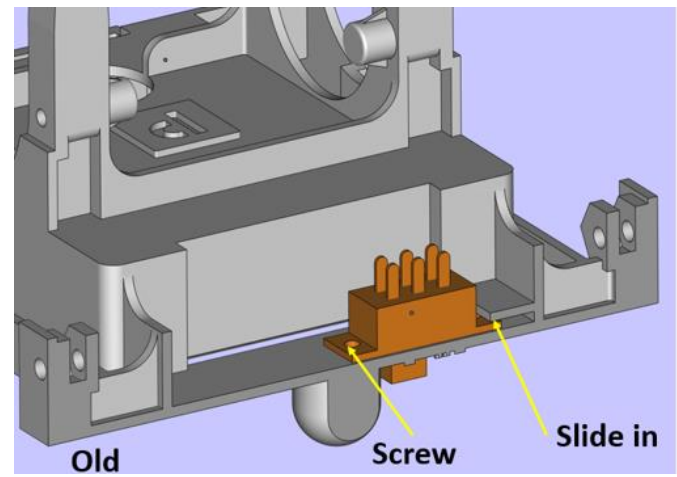
PRIMO

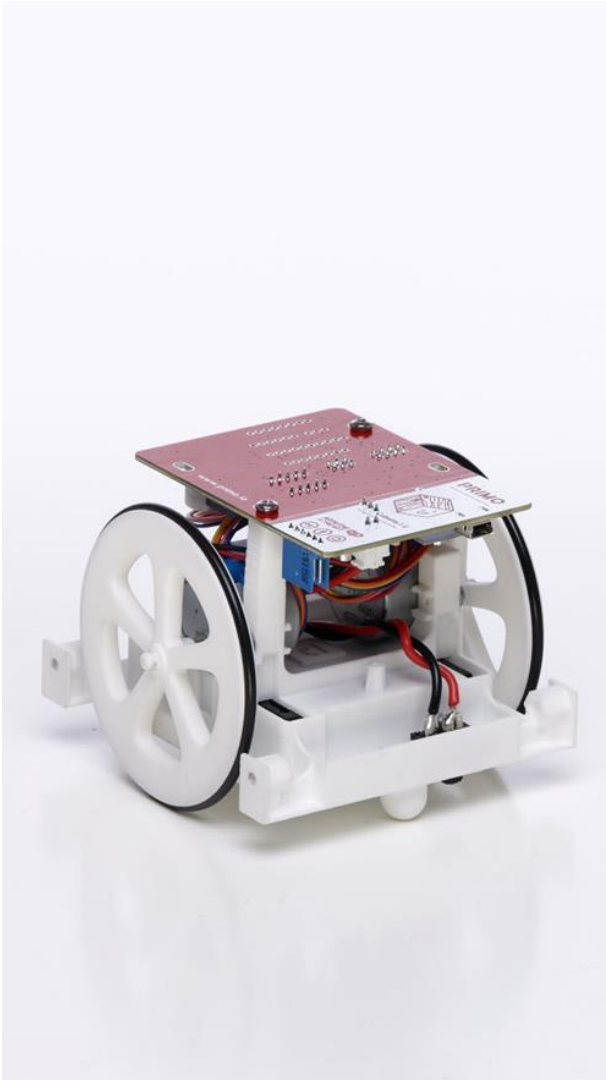
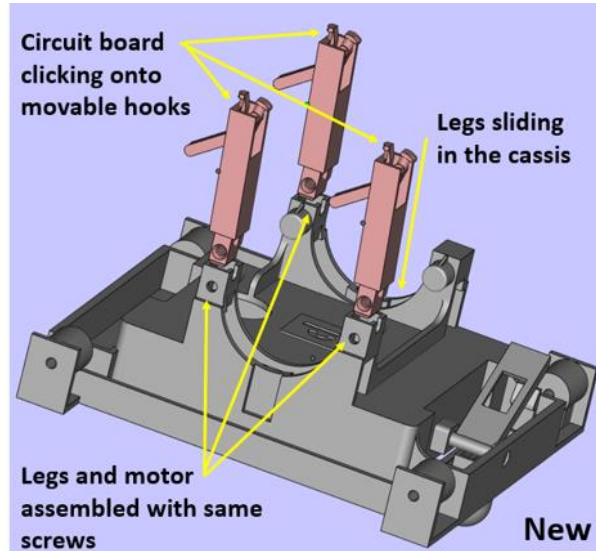
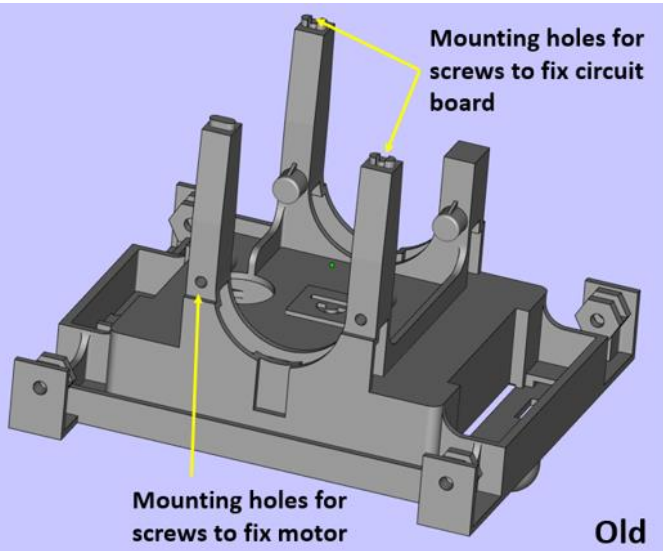




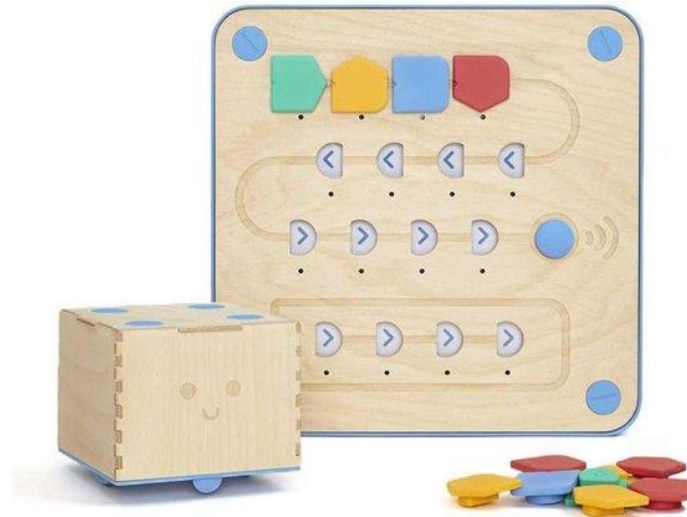








- ☑ Flexibiliteit
- ☑ Risico
- ☑ Lead-time
- ☑ Kosten



Yuniku by HOYA

The World's First Complete
Eyewear Customization Platform



Frames designed by Hoet Design Studio



3D scanner, installed in opticians' shops

The Goal

A more **vision-centric approach** to eyewear that puts the **lens** at the forefront of **frame design**.

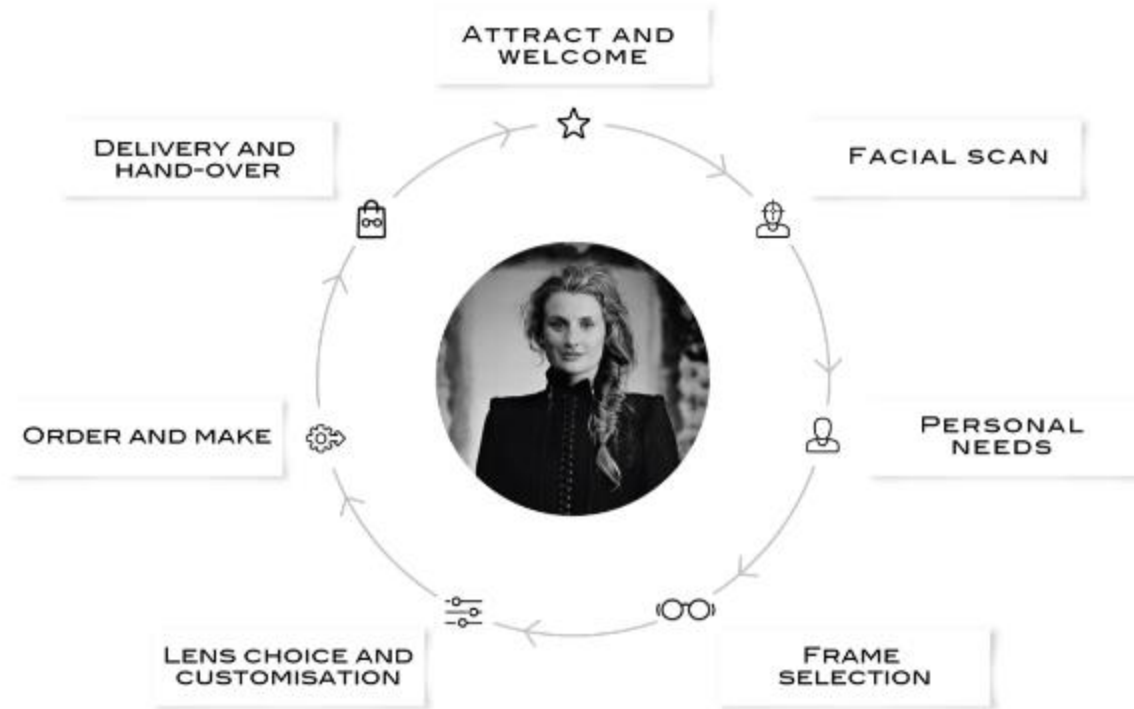


How?

3D Scanning ● Parametric design automation ● 3D Printing

“What we were looking for was not only a manufacturing partner but an all-round collaborator at every stage.”

— Felix España, HOYA Vision Care





- ✓ Kwaliteit
- ✓ Comfort
- ✓ Exclusiviteit
- ✓ Voorraden
- ✓ Duurzaam



<http://3dprintbarometer.com/>

TEST YOUR OWN PART



PART SIZE	PART	PROJECT VALUE	SERIES SIZE	PURPOSE
<input checked="" type="radio"/>	<input checked="" type="radio"/>	<input checked="" type="radio"/>	<input checked="" type="radio"/>	<input checked="" type="radio"/>
<i>Ping pong ball</i>	<i>No undercuts</i>	<i>Less than €1.000</i>	<i>1 to 10</i>	<i>Only functional</i>
<input type="radio"/>	<input type="radio"/>	<input type="radio"/>	<input type="radio"/>	<input type="radio"/>

Calculate

http://3dprintbarometer.com/

YOUR PART SCORE



73%
Nice match!

[< Try another part](#)

[Contact us](#)

**Don't ask what a printer can do,
Ask what printer can do for you.**